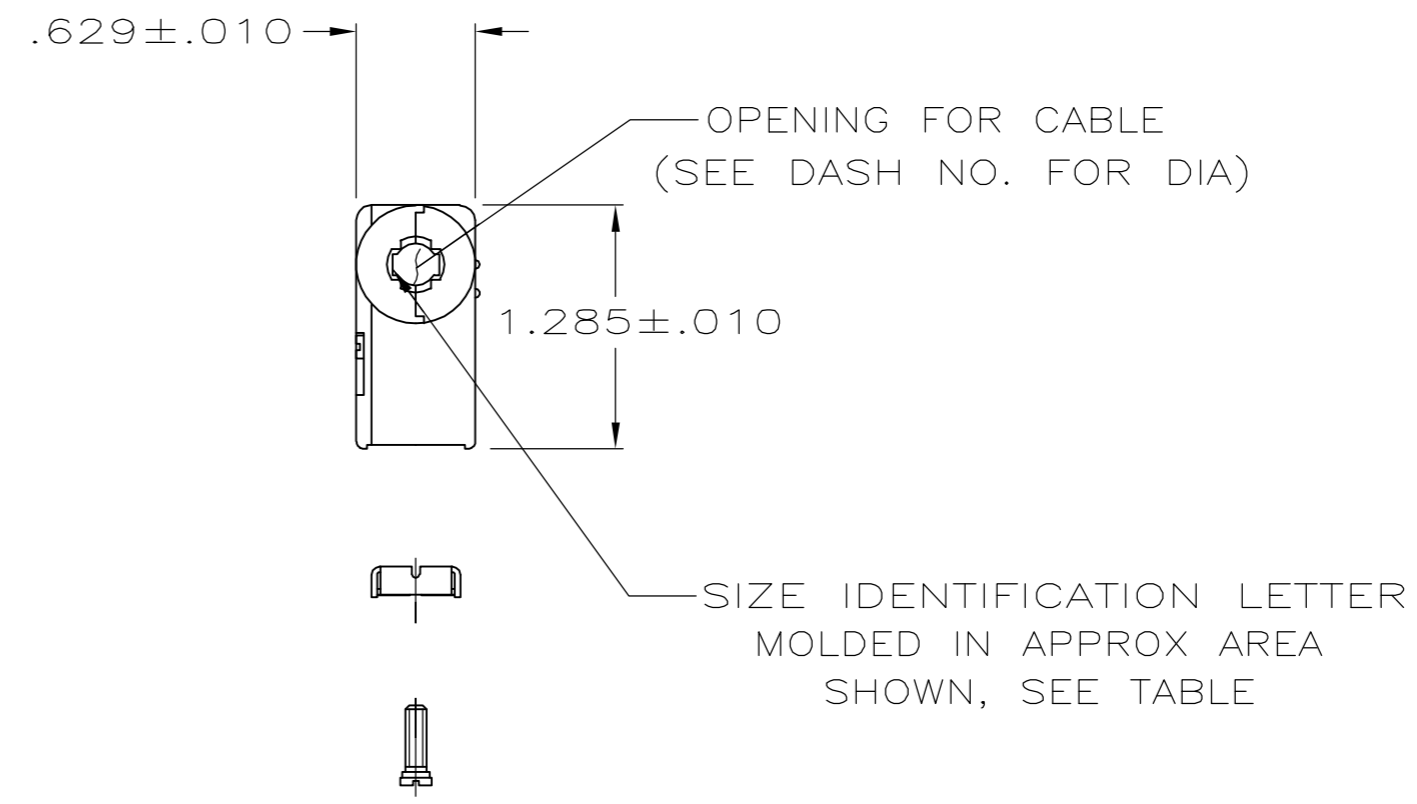
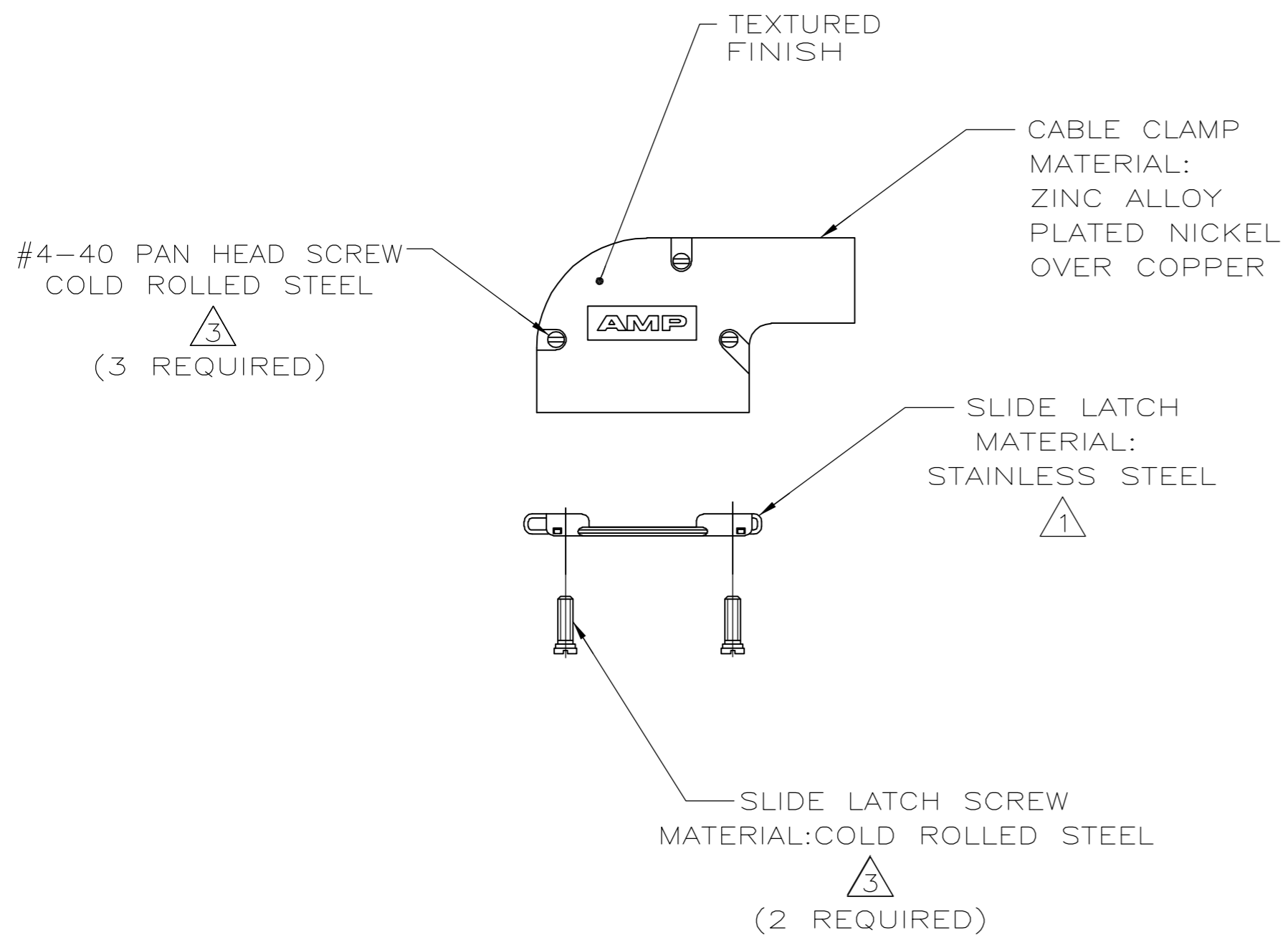
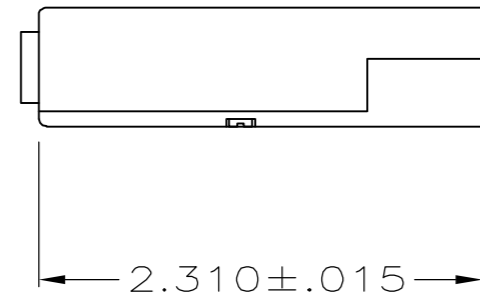


THIS DRAWING IS UNPUBLISHED. RELEASED FOR PUBLICATION
 © COPYRIGHT BY TYCO ELECTRONICS CORPORATION. ALL RIGHTS RESERVED.

LOC		DIST		REVISIONS			
P	LTR	DESCRIPTION	DATE	DWN	APVD		
GP	00	0	RELEASED PER EC 0513-0226-05	8-13-05	D.H.	J.G.	



- 1 KIT INCLUDES SLIDE LATCH & SCREWS.
- 2. ALL PARTS PACKAGED UNASSEMBLED.
- 3 ZINC PLATED .000200-.000400 THICK, CLEAR CHROMATE COATING.

B	.225	5745652-4
E	.300	5745652-3
H	.375	5745652-2
K	.430	5745652-1
NECK IDENT	CABLE DIA	PART NO.

**COPYRIGHT 2005
 TYCO ELECTRONICS CORP
 ALL RIGHTS RESERVED**

THIS DRAWING IS A CONTROLLED DOCUMENT.		DWN	D. HENNY	8-13-05	 Tyco Electronics Corporation Harrisburg, PA 17105-3608
DIMENSIONS: INCHES		CHK	C. ROHDE	8-13-05	
TOLERANCES UNLESS OTHERWISE SPECIFIED:		APVD	M. WALMSLEY	8-13-05	NAME
0 PLC ± -		PRODUCT SPEC	-		CABLE CLAMP KIT, SIZE 2, 15 POSITION, 90 DEG, AMPLIMITE SERIES
1 PLC ± -		APPLICATION SPEC	-		SIZE
2 PLC ± -		WEIGHT	-		CAGE CODE
3 PLC ± .005		CUSTOMER DRAWING	-		DRAWING NO
4 PLC ± -		SCALE	1:1		RESTRICTED TO
ANGLES ± -		SHEET	1 of 1		REV
MATERIAL SEE CALLOUTS		FINISH SEE CALLOUTS	-		
		SCALE	1:1		
		SHEET	1 of 1		
		REV	0		

5745652